

LUXA 103-360

Article number: 1030010

Description



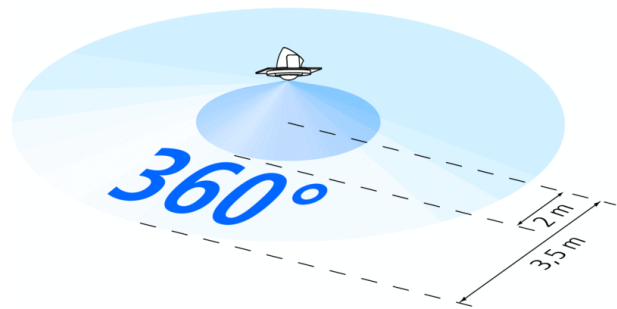
- Motion detector (PIR)
- Automatic lighting control based on presence and brightness
- 1 channel
- Ceiling installation for suspended ceilings
- Mixed light measurement suitable for the control of fluorescent, incandescent and halogen lamps
- Zero-cross switching for relay-saving switching and high lamp loads
- Sensor head can be adjusted downwards by 45° in 15° stages thus allowing detection area to be changed to avoid switching the device on unnecessarily
- Ceiling cut-out of 65 – 68 mm diameter
- Easy installation via two clamping brackets
- System consists of power box and sensor with plugged connection cable
- Sensor can easily be removed during painting work and replaced afterwards
- Large clamping area for quick installation
- Single-handed plug-in installation with captive screws
- Instant start-up possible via factory preset
- No unintentional adjustment due to covered up controls
- Adjustable brightness switching value and switch-off delay
- Sensitivity can be reduced to limit detection area
- Impulse function
- Test function

Technical data

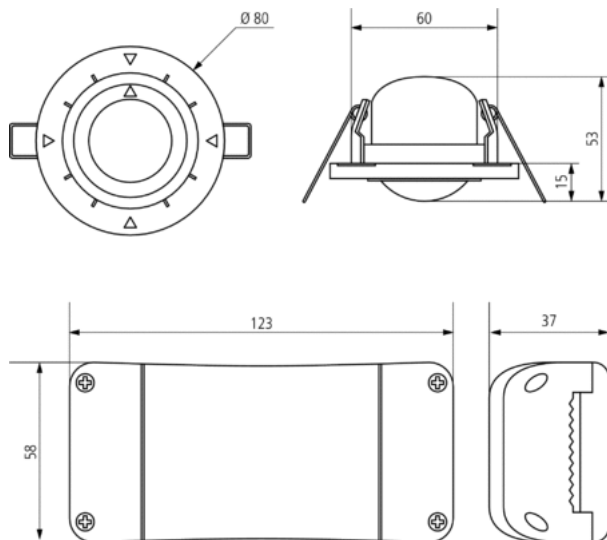
Operating voltage	230 V AC
Frequency	50 – 60 Hz
Stand-by consumption	0,9 W
Light measurement	Mixed light measurement
Number of channels	1
Type of contact	NO contact
Installation type	Ceiling mounting
Setting range brightness	10 – 2000 lx
Switching capacity light	10 A (at 230 V AC, cos φ = 1), 3 AX (at 230 V AC, cos φ = 0.3)
Detection angle	360°
Recommended installation height	2 – 3 m
Light switch-off delay	5 s–20 min
Incandescent lamp load	1000 W
Halogen lamp load	1000 W
Fluorescent lamp load (conventional) parallel-corrected	400 VA
Lamps	Incandescent/halogen lamps, Fluorescent lamps, Energy saving lamps, LEDs
Ambient temperature	+0 °C ... +45 °C
Protection class	II
Type of protection	Sensor IP 40, power module IP 20

Detection area

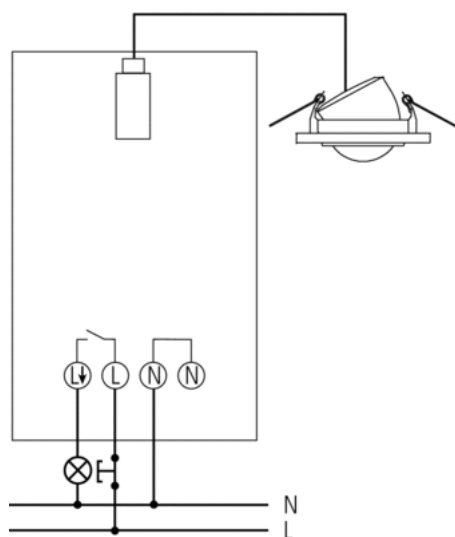
Mounting height (A)	Head on to (r)	Diagonally (t)
2,5 m	4 m	7 m



Scale drawings



Connection example



Accessories

RC filter

- Article number: 9070523
[Details ▶ www.theben.de](http://www.theben.de)

